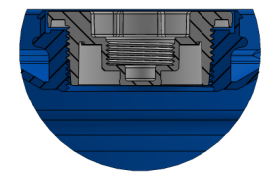
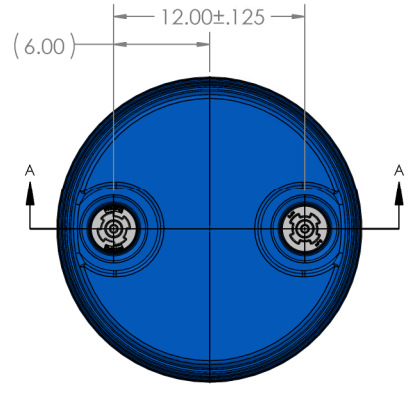


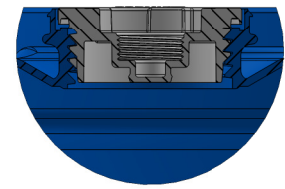
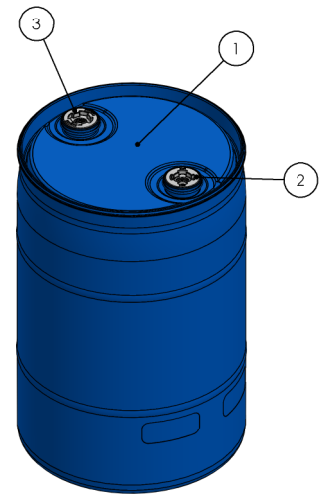
ITEM NO.	PART NUMBER	DESCRIPTION	QTY.
1	552-82-C-09	30 GAL. L1 DRUM	1
2	L16-WLXX	2" NPS PLUG	1
3	L10-WLXX	2" BUTTRESS PLUG	1

NOTE: FOR ADDITIONAL COMPONENT INFORMATION OR OTHER COMPONENT OPTIONS PLEASE REFERENCE MAUSER COMPONENT PRODUCT DESCRIPTION SHEETS.

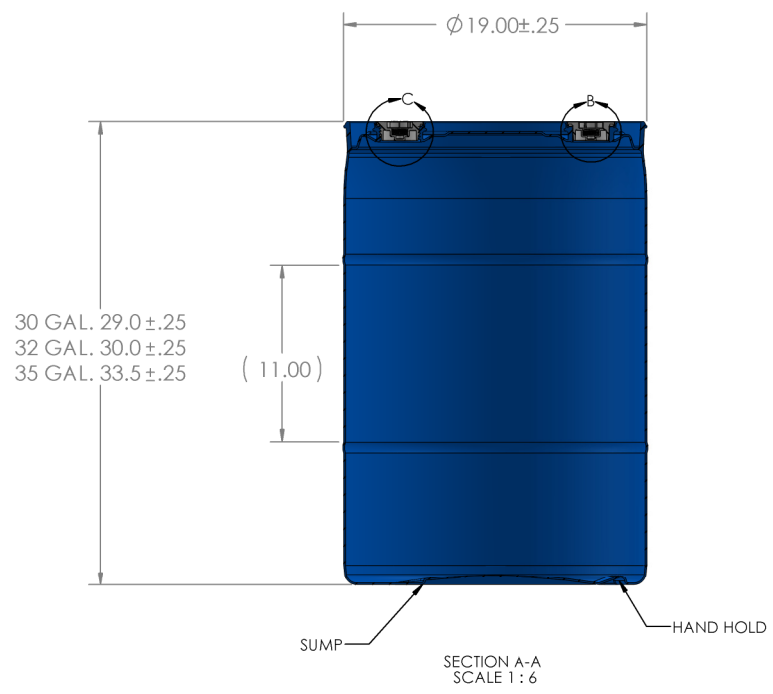
REV.	DESCRIPTION	DATE	APPROVED
A	ECO # 428	-	
B	ADDED M TITLE BLOCK	1/11/07	BG
C	ADDED SUMP / HAND HOLD	4/23/08	TN
D	CHANGED BOTTOM LAYOUT TO SHOW UNDER BUTTRESS OPENING	4/30/08	TN
E	UPDATED DRAWING	5/8/2012	AJ
F	UPDATE BUNG ALIGNMENT	4/12/2013	AJ



DETAIL B
SCALE 1 : 1.5
2" NPS CLOSURE
11.5 T.P.I.



DETAIL C
SCALE 1 : 1.5
BUTTRESS CLOSURE
5 T.P.I.



SECTION A-A
SCALE 1 : 6

UNLESS OTHERWISE SPECIFIED:		NAME	DATE
DIMENSIONS ARE IN INCHES		DRAWN	AJ 10/26/11
TOLERANCES:		CHECKED	TN 10/26/11
ALL DIMENSIONS ARE NOMINAL		ENG APPR.	BJ
UNLESS OTHERWISE SPECIFIED.		MFG APPR.	
INTERPRET GEOMETRIC TOLERANCING PER:		Q.A.	
MATERIAL:		COMMENTS:	
HDPE		LOCATION:	R:\DWG\SolidWorks Parts\5
FINISH			
NEXT ASSY	USED ON		
APPLICATION	DO NOT SCALE DRAWING		

PROPRIETARY AND CONFIDENTIAL
THE INFORMATION CONTAINED IN THIS DRAWING IS THE SOLE PROPERTY OF MAUSER USA LLC. ANY REPRODUCTION IN PART OR AS A WHOLE WITHOUT THE WRITTEN PERMISSION OF MAUSER USA LLC IS PROHIBITED.



TITLE:
30/32/35 GAL. L1

SIZE	DWG. NO.	REV
C	552-82-C-09	F
SCALE: 1:8	WEIGHT:	SHEET 1 OF 1