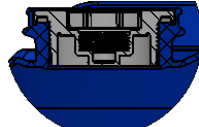
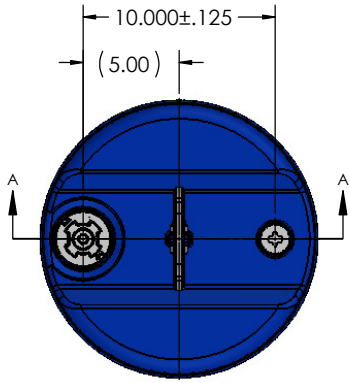


ITEM NO.	PART NUMBER	DESCRIPTION	QTY.
1	552-82-C-10	15 GAL. SINGLE HANDLE DRUM	1
2	L16-WLXX	2" NPS PLUG	1
3	C34-ADXX	3/4" PLUG	1
4	403-80-B-05	C56-6 BLACK HANDLE	1
5	403-80-B-05 PIN	C56-6P PIN	1

NOTE: FOR ADDITIONAL COMPONENT INFORMATION OR OTHER COMPONENT OPTIONS PLEASE REFERENCE MAUSER COMPONENT PRODUCT DESCRIPTION SHEETS.

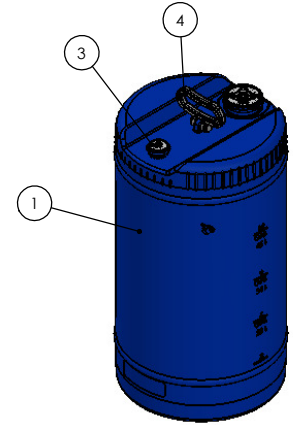
REVISIONS			
REV.	DESCRIPTION	DATE	APPROVED
A	UPDATED DRAWING	5/8/2012	AJ



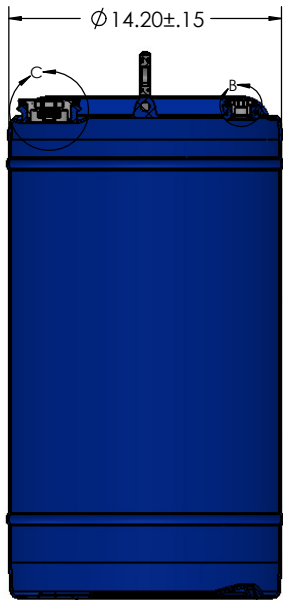
DETAIL C  
SCALE 1 : 2  
2" NPS CLOSURE  
11.5 T.P.I.



DETAIL B  
SCALE 1 : 2  
3/4" NPS CLOSURE  
14 T.P.I.



ISOMETRIC BACK VIEW

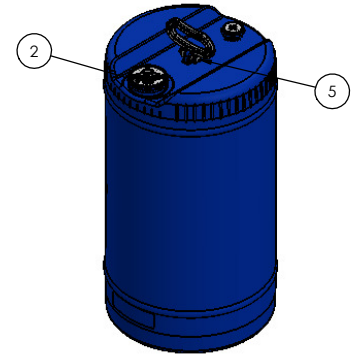


SUMP SECTION A-A SCALE 1 : 5 HAND HOLD

26.125±.250 (AD, CH, EB)  
25.75±.250 (HW)



SECTION D-D  
SCALE 1 : 4



ISOMETRIC FRONT VIEW

**PROPRIETARY AND CONFIDENTIAL**  
THE INFORMATION CONTAINED IN THIS DRAWING IS THE SOLE PROPERTY OF MAUSER USA LLC. ANY REPRODUCTION IN PART OR AS A WHOLE WITHOUT THE WRITTEN PERMISSION OF MAUSER USA LLC IS PROHIBITED.

		UNLESS OTHERWISE SPECIFIED:	NAME	DATE
		DIMENSIONS ARE IN INCHES	AJ	10/27/11
		TOLERANCES:		
		ALL DIMENSIONS ARE NOMINAL	CHECKED	TN 10/27/11
		UNLESS OTHERWISE SPECIFIED.	ENG APPR.	BJ
			MFG APPR.	
		INTERPRET GEOMETRIC TOLERANCING PER:	D.A.	
		MATERIAL:	COMMENTS:	
		HDPE	LOCATION:	R:\DWG\SolidWorks Parts\5\
		FINISH		
NEXT ASSY	USED ON	APPLICATION	DO NOT SCALE DRAWING	



TITLE:  
15 GAL. SINGLE HANDLE  
STANDARD 3/4" NPS & 2" NPS

SIZE	DWG. NO.	REV
C	552-82-C-10	A
SCALE: 1:8	WEIGHT:	SHEET 1 OF 1