
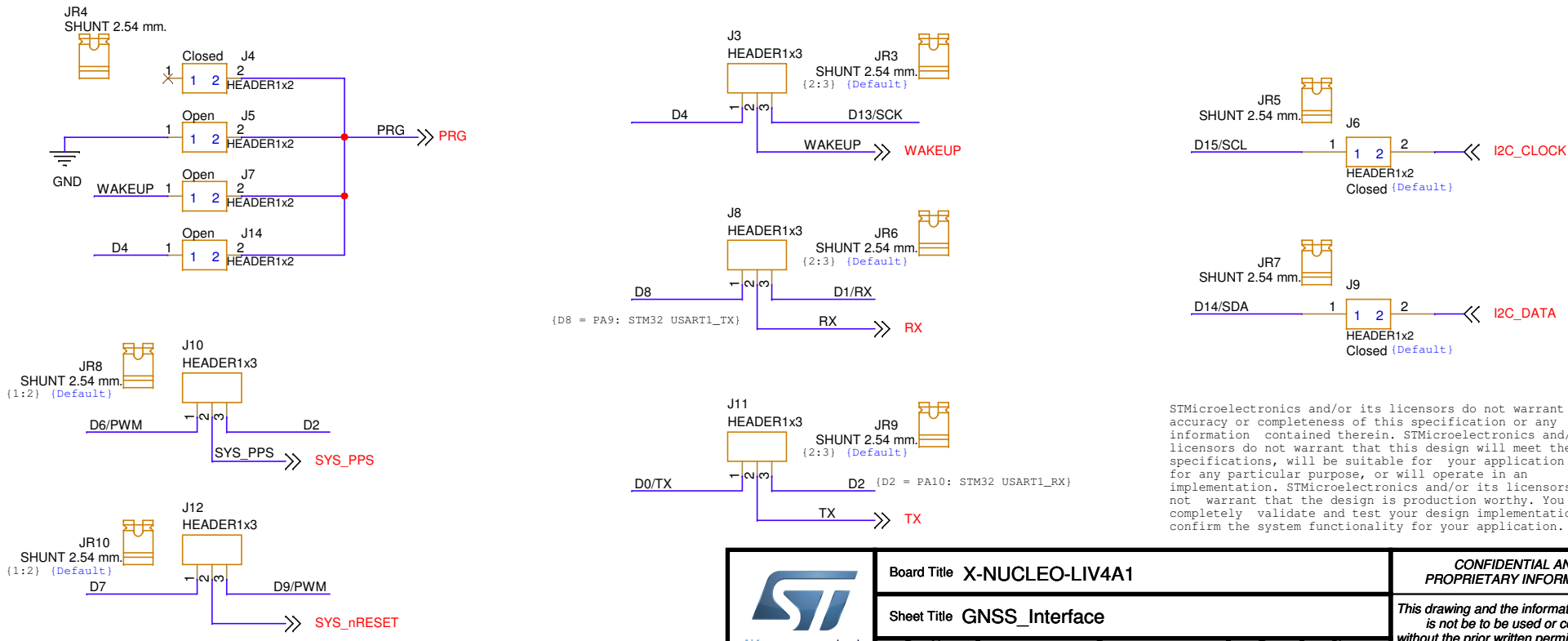
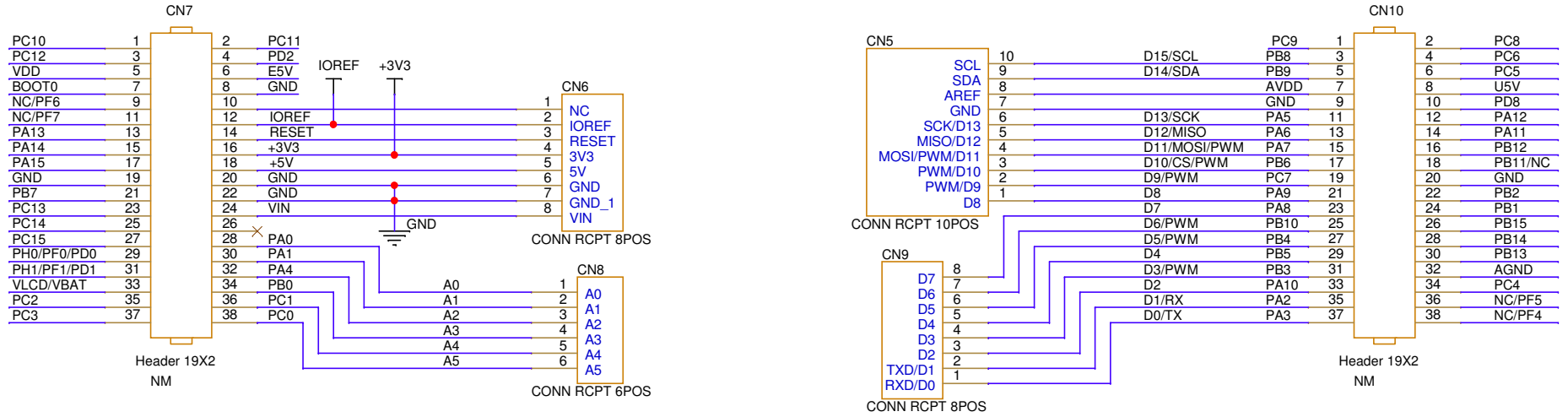


STMicroelectronics and/or its licensors do not warrant the accuracy or completeness of this specification or any information contained therein. STMicroelectronics and/or its licensors do not warrant that this design will meet the specifications, will be suitable for your application or fit for any particular purpose, or will operate in an implementation. STMicroelectronics and/or its licensors do not warrant that the design is production worthy. You should completely validate and test your design implementation to confirm the system functionality for your application.




	Board Title X-NUCLEO-LIV4A1				CONFIDENTIAL AND PROPRIETARY INFORMATION <i>This drawing and the information herein, is not to be used or copied without the prior written permission of STMicroelectronics.</i>
	Sheet Title GNSS Module				
Doc No <Doc>	Date Monday, October 30, 2023	Rev 1.0	Sheet 1 / 3		

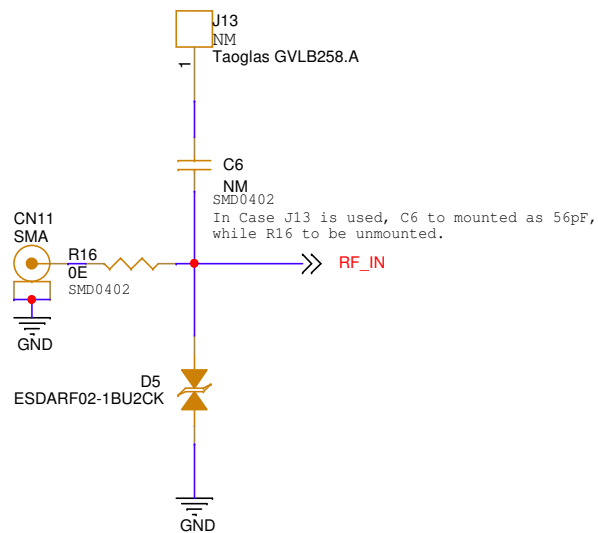
NUCLEO CONNECTORS




STMicroelectronics and/or its licensors do not warrant the accuracy or completeness of this specification or any information contained therein. STMicroelectronics and/or its licensors do not warrant that this design will meet the specifications, will be suitable for your application or fit for any particular purpose, or will operate in an implementation. STMicroelectronics and/or its licensors do not warrant that the design is production worthy. You should completely validate and test your design implementation to confirm the system functionality for your application.

 life.augmented	Board Title X-NUCLEO-LIV4A1		CONFIDENTIAL AND PROPRIETARY INFORMATION	
	Sheet Title GNSS_Interface		<i>This drawing and the information herein, is not to be used or copied without the prior written permission of STMicroelectronics.</i>	
Doc No <Doc>	Date Monday, October 30, 2023	Rev 1.0	Sheet 2 / 3	

RF In Section



STMicroelectronics and/or its licensors do not warrant the accuracy or completeness of this specification or any information contained therein. STMicroelectronics and/or its licensors do not warrant that this design will meet the specifications, will be suitable for your application or fit for any particular purpose, or will operate in an implementation. STMicroelectronics and/or its licensors do not warrant that the design is production worthy. You should completely validate and test your design implementation to confirm the system functionality for your application.

 life.augmented	Board Title X-NUCLEO-LIV4A1				CONFIDENTIAL AND PROPRIETARY INFORMATION	
	Sheet Title GNSS_RF IN				<i>This drawing and the information herein, is not to be used or copied without the prior written permission of STMicroelectronics.</i>	
Doc No <Doc>	Date Monday, October 30, 2023	Rev 1.0	Sheet 3 / 3			