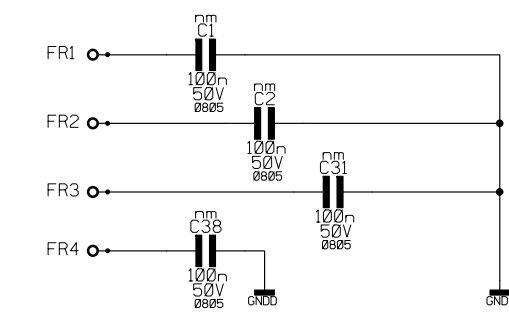
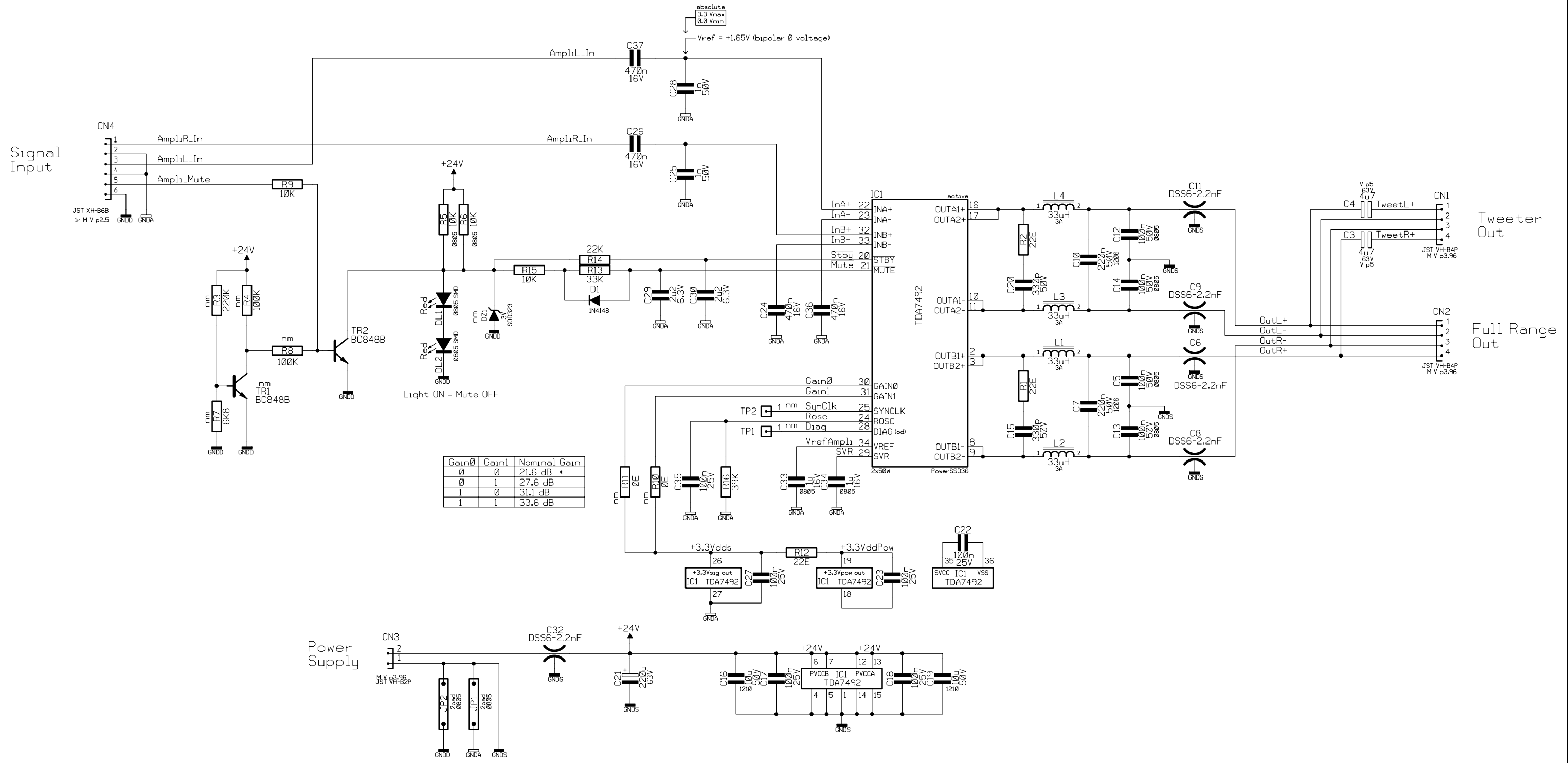


TDA 7492 Stereo Digital Amplifier



- HTS1 30x24x20-20C/W-pro.5070 HeatSink 0220104
- SCRW1 Screw 924310093 Vite-M3x10-TC-DIN7982-Z1
- SCRW2 Screw 924310093 Vite-M3x10-TC-DIN7982-Z1
- PCB1 CANTORUM DUO Ampli 50+50W PCB 192932 CANTORUM

01/01

Viscount International S.p.A. 60020 Ancona (An) - ITALY		SCH. name TDA 7492 Stereo Digital Amplifier	
DATE: 13/07/2018	REV. 1v2	PRODUCT Cantorum Duo	
DRW: Fraternali M	SCH 192932	SIZE: A3	SCALA:
CKD: Fraternali M	ASSY. 986433	DSK.:	Sch. page: 01
APP: Fraternali M	PCB 192932	Notes: nm = No Mount	