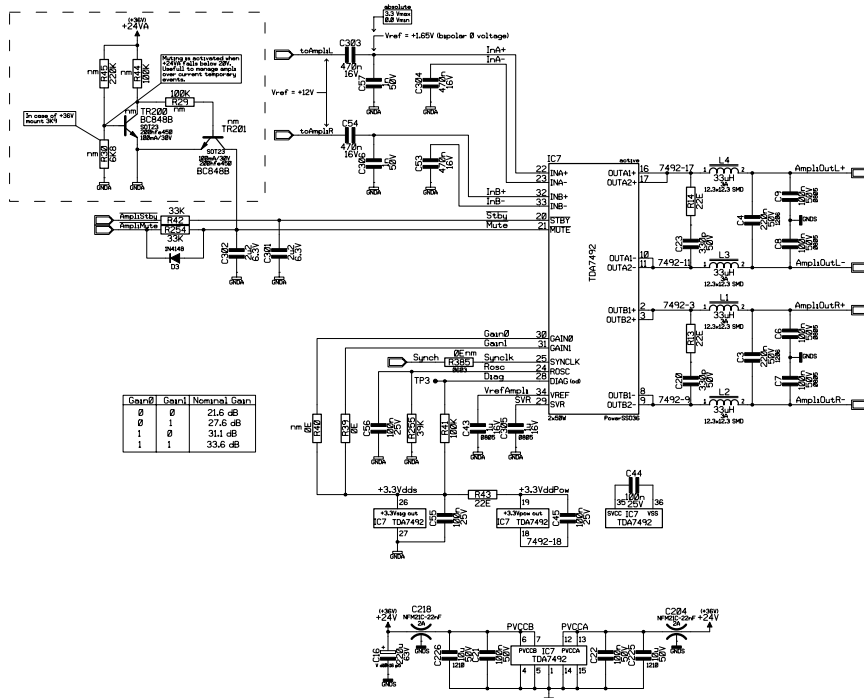


Ampl1



HTS1
SMD-08-08C/V-0-0878
HeatSink
828184

SCRW1
SMD-08-08C/V-0-0878
924318093
Vite-M3x10-TC-DIN7982-Z1

SCRW2
SMD-08-08C/V-0-0878
924318093
Vite-M3x10-TC-DIN7982-Z1

Viscont International S.p.A.		SCH, nome Ampl1	
60020 Ancona (An) - ITALY		192425 Analog Ampl1	
DATE: 17/12/2018	REV. 2v1	PRODUCT	AYP CPU
DRW: Bonix	SCH	SIZE: A3	SCALE: A
CKD: ASSY_986053		PCB: 192425	DSK.: Sch. page: 81
Notes: No Mount in pages 8			