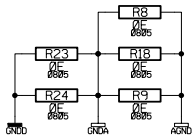
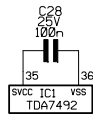
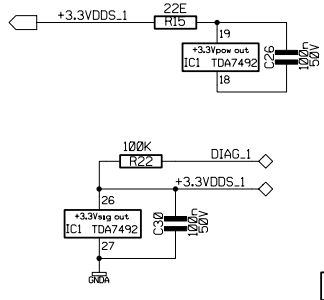
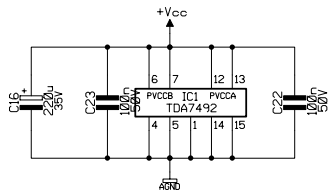


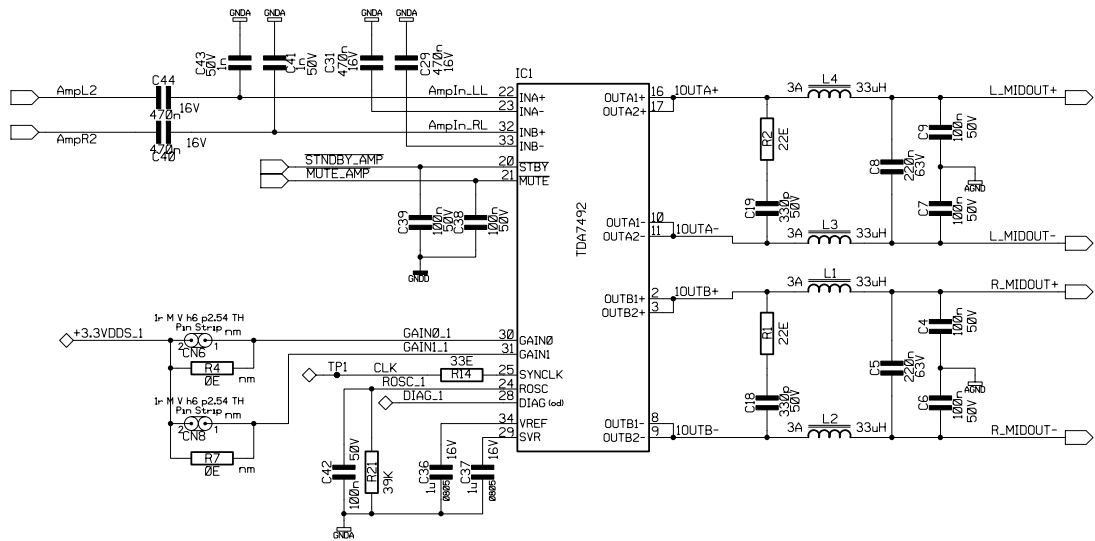
985834: Power Amplifier Board



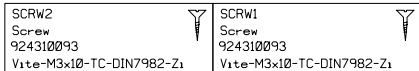
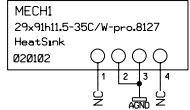
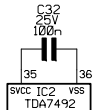
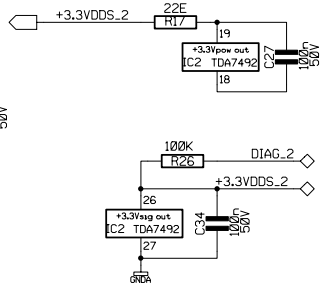
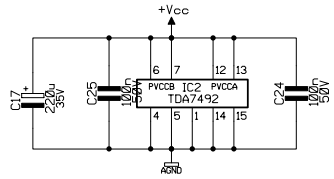
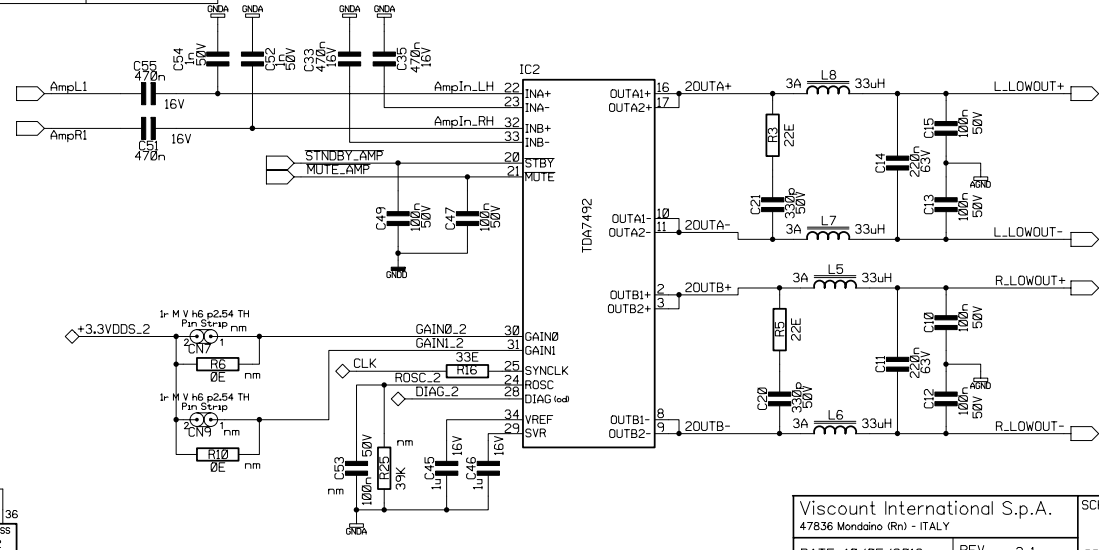
AGND=POWER GND
GND= SIGNAL GND
GND= DIGITAL GND

NOMINAL_GAIN	GAIN0	GAIN1
21.6dB	0V	0V
27.6 dB	0V	3.3V
31.1 dB	3.3V	0V
33.6 dB	3.3V	3.3V

MODE	STANDBY	MUTE
STANDBY	0V	0V
STANDBY	0V	3.3V
MUTE	3.3V	0V
PLAY	3.3V	3.3V



TDA7492 CLK MASTER/SLAVE	
IC1 MASTER	ROSC_1 CONNECTED
IC2 SLAVE	ROSC_2 NOT CONNL
IC1 SLAVE	ROSC_1 NOT CONN.
IC2 MASTER	ROSC_2 CONNECTED



01/02

Viscont International S.p.A. 47836 Mondaino (Rn) - ITALY		SCH. name	PIANO V100 AMPLIFIER
DATE: 10/05/2013	REV. 2v1	PRODUCT	PHYSIS PIANO
DRW: FFSS	SCH 192869	SIZE: A3	SCALE:
CKD: M.D.Car1o	ASSY. 985834	DSK.:	Sch. page: 01
APP: PCB	192869		

Notes: